

DESCRIPTION

SCOPE

This instruction is valid for
Kit No 19947
Kit No 19948
Kit No 19954

KIT CONTENTS

The kit consists of:

| Pos. No | Specification | Qty. |
|---------|-----------------|------|
| 1 | PLATE, BLIND | 1 |
| 2 | PLATE, TWO ROOM | 1 |
| | CLIPS, PANEL | 3 |
| 4 | CABEL | 1 |
| | PACKING, FOAM | 2,36 |

INSTALLATION

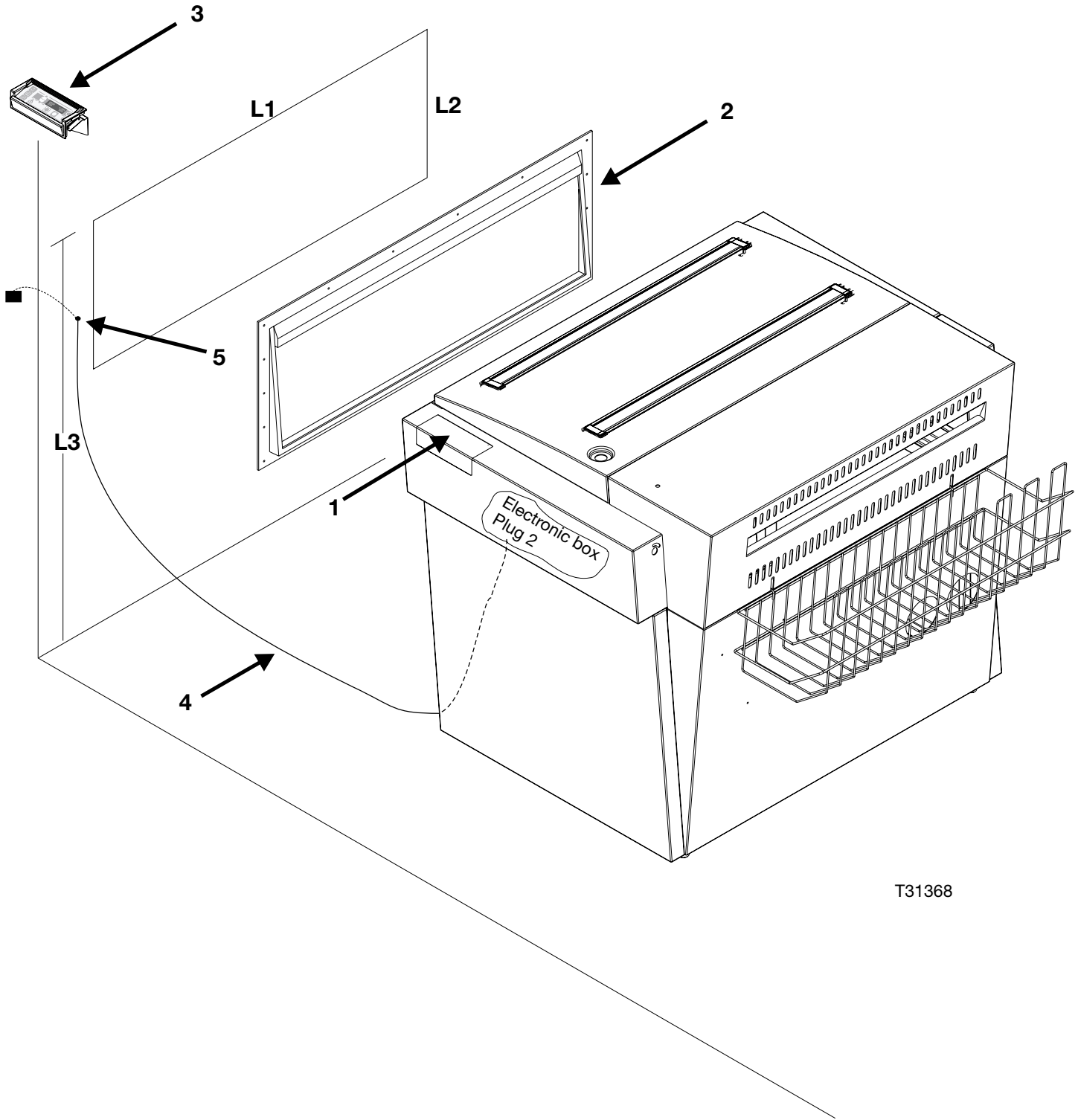
(See illustration opposite)

Hole in the wall

| | L1 | L2 | L3 |
|---------------|------|-----|-------|
| 55/21" | 830 | 390 | 1100* |
| 72/28" | 1005 | 390 | 1100* |
| 86/34" | 1145 | 390 | 1100* |

* Depending on processor adjustment.

- Dismount MMI panel and bracket and install in dark room (**pos. 3**).
- Make a hole (**pos. 5**):
D32mm or
16x32mm
- Connect electronic box and MMI panel with cable.
(Pos. 4)
Be aware that the processor tank must be lifted in order to let the cable underneath the processor.
- Mount blindplate (**pos. 1**) by means of clips and right fender.
- Install the processor and the two room plate.



T31368