

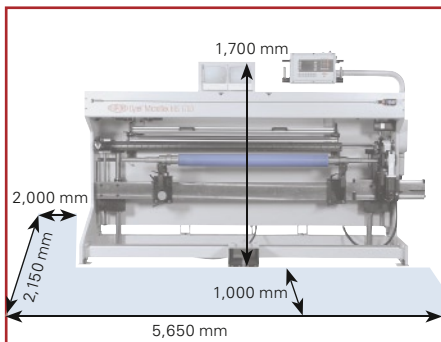
# DuPont™ Cyrel® Microflex 1700

STATE OF THE ART MOUNTING EQUIPMENT

## DuPont Packaging Graphics



DuPont™ Cyrel® Microflex 1700



Technical Drawing

DuPont Packaging Graphics is a leading supplier serving the package printing markets with DuPont™ Cyrel® flexographic solutions. The Cyrel® systems for analogue and digital applications, which are available for solvent and thermal processing, comprise sheet photopolymer plates, continuous sleeves, plate making and mounting equipment. DuPont's complete range of equipment is Advancing Flexography for over 30 years. The DuPont™ Cyrel® systems are renowned for their unmatched production performance, for toping plate quality and abridge the overall pre-press workflow.

**The Cyrel® Microflex 1700 is designed with customer needs in mind, it is easy to install, support, maintain and operate. It is robust, extremely cost effective and reliable.**

### Application

- Maximum plate width 1,700 mm
- Repeat length 280 – 1,016 mm
- Extremely precise mounting
- Robust and easy to maintain
- Simple to operate
- Optimum productivity

### Product Features

DuPont™ Cyrel® Microflex 1700 can mount photopolymer plates up to a nominal maximum size of 1,700 mm (67 inch) in width and maximum repeat length of 1,016 mm (40 inch).

The Cyrel® Microflex 1700 is highly productive and extremely precise, for direct mounting of plates onto cylinders or sleeves with the aid of 2 computer controlled cameras, each having an enlargement factor of 40X. No PC expertise is required to operate the unit and is it safe and easy to use.

Available options are: gearless proof (registration control), sleeve change inside the machine, adhesive tape cutter, manual taping system, air management system.

### IMPORTANT!

At the time of the order placement, it is essential to obtain the cylinder drawings of the cylinders to be used with the system!



*The miracles of science™*

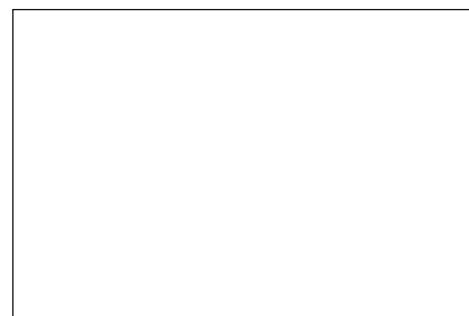
<b>Technical Data</b>		
<b>General</b>	<b>Details</b>	<b>Other Notes</b>
<b>Equipment Name</b>	DuPont™ Cyrel® Microflex 1700	
<b>SAP Article Number</b>	MH51390	
<b>Packing</b>	Crated	
<b>Max. nominal plate width</b>	1,700 mm – 67 inch	
<b>Repeat length</b>	280 mm – 1,016 mm / 11 inch – 40 inch	
<b>Electrical (field configurable)</b>	230 Volt – 50 / 60hz** (+/- 10%)	3Ph / N / PE*
<b>Power (nominal)</b>	3.5 A 800 W	
<b>Current (nominal load)</b>	16 Amp @ 230 Volt**	** Connecting wires 3x 2.5 mm <sup>2</sup> for 230 Volt configuration.
<b>Grounding</b>	≤ 0.1 Ω	Ground bar to equipment frame and to electrical supply ground
<b>Exhaust</b>	NA	
<b>Environmental Data</b>	Temperature range 15°C to 30°C – 59°F to 86°F	Relative humidity From 40% to 60% non-condensing
<b>Compressed Air supply</b>	7 bar minimum	101.5 psi
<b>Air consumption for the machine</b>	12 L per min – 0.423 scfm	
<b>Air consumption for the sleeve change</b>	300 L per min – 10.59 scfm	
<b>Dimension L</b>	2,930 mm – 115.4 inch (un-crated)	3,600 mm – 141.7 inch (crated)
<b>W</b>	910 mm – 35.9 inch (un-crated)	1,600 mm – 63.0 inch (crated)
<b>H</b>	1,690 mm – 66.6 inch (un-crated)	2,370 mm – 93.3 inch (crated)
<b>Weight</b>	2,200 kg – 4 .850 lbs (un-crated)	2,600 kg – 5.732 lbs (crated)
<b>Colour</b>	DuPont Grey	

All technical information set out herein is provided free of charge and is based on technical data, which DuPont believes to be reliable. It is intended for use by persons having skill, at their own discretion and risk. The handling precaution information contained herein is given with the understanding that those using it will satisfy themselves that their particular conditions of use present no health or safety hazards. Since conditions of product use are outside of our control we make no warranties express or implied in relation thereto and therefore cannot accept any liability in connection with any use of this information. Nothing herein is to be taken as a license to operate under, or a recommendation to infringe any patents.

Du Pont de Nemours (Deutschland) GmbH  
 DuPont Imaging Technologies  
 Hugenottenallee 173  
 63263 Neu-Isenburg  
 Deutschland  
 Tel: +49 (0) 6102 18 4400

Du Pont (U.K.) Limited  
 DuPont Imaging Technologies  
 Wedgwood Way, Stevenage  
 Hertfordshire SG1 4QN  
 United Kingdom  
 Tel: +44 (0) 1438 734485

To learn more, visit [www.cyrel.co.uk](http://www.cyrel.co.uk)  
 or contact your Cyrel® specialist



The miracles of science™

**DuPont Packaging Graphics**  
**“Advancing Flexography”**