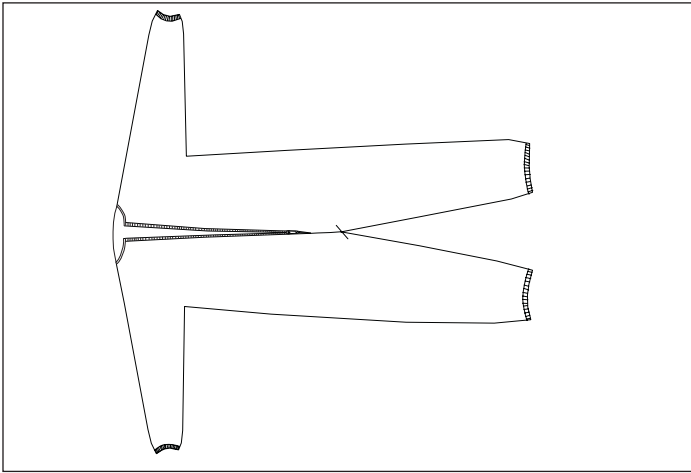


# Fold Specification for Aseptically Packed Coverall

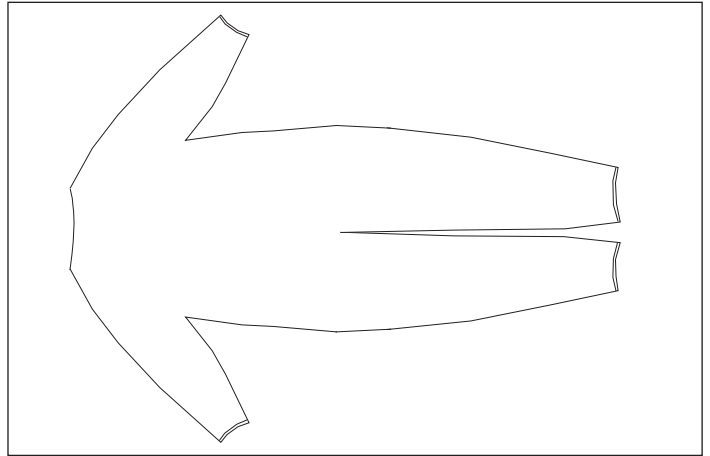
DUPONT CONTROLLED ENVIRONMENTS

## How to Fold Aseptically Packed Coverall

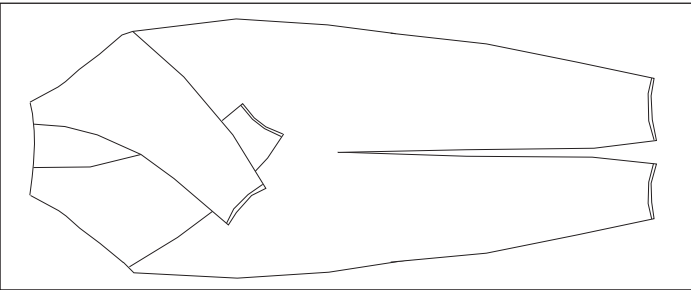
1. Lay coverall on flat surface and unzip zipper.



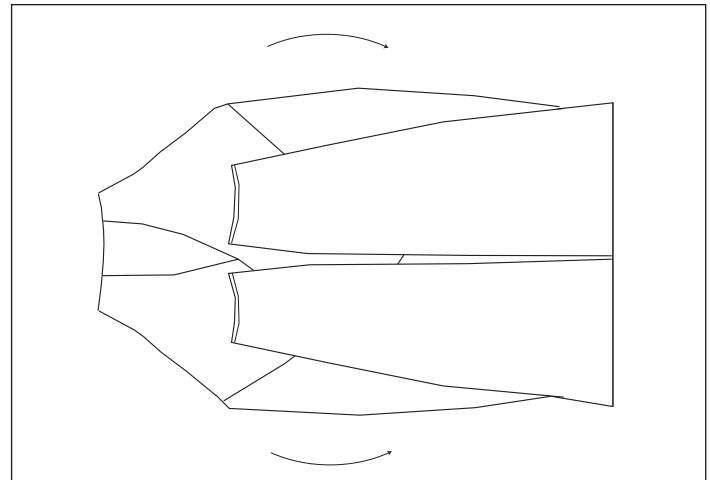
2. Turn coverall face down.



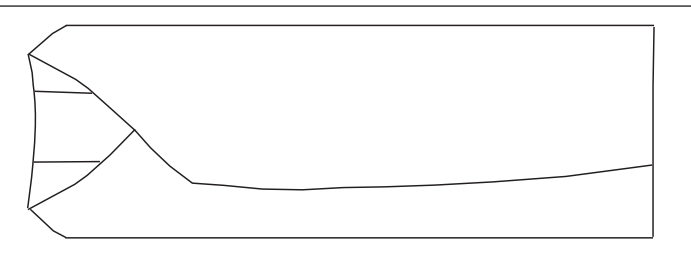
3. Fold sleeves in towards body center.



4. Fold legs up toward top of garment.



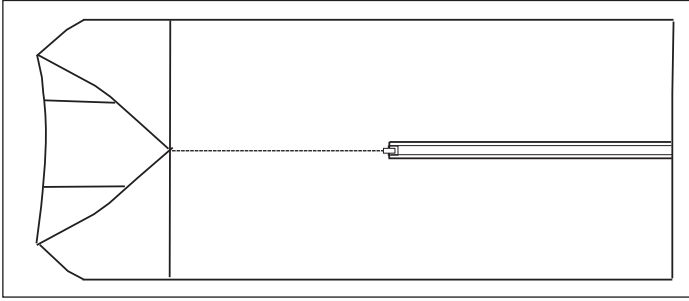
5. Fold sides in toward body center. Width should fit in packaging.



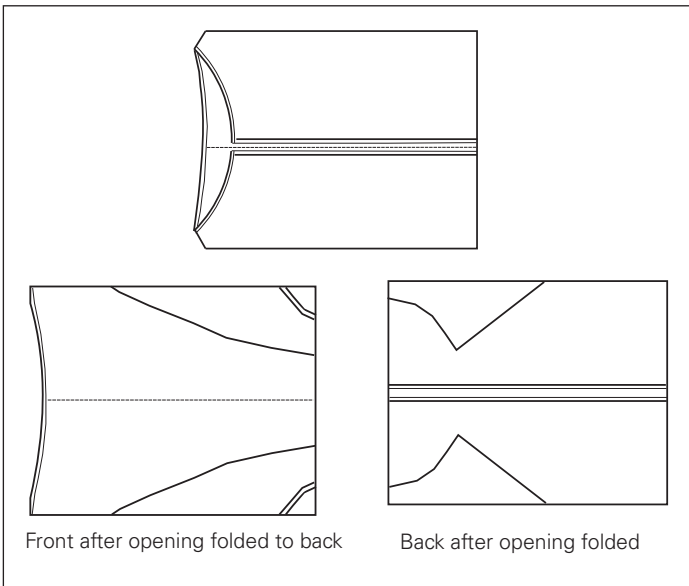
*The miracles of science™*

## FOLD SPECIFICATION FOR PACKED COVERALL

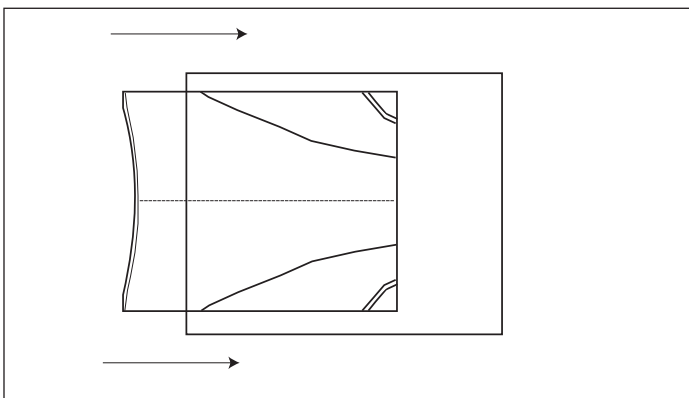
6. Fold legs up toward top of garment.



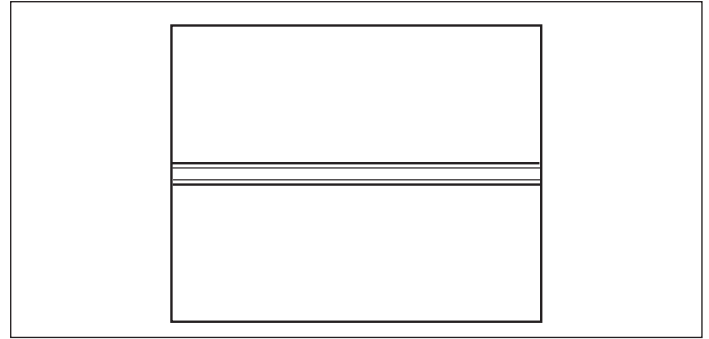
8. Fold front opening toward back of garment.



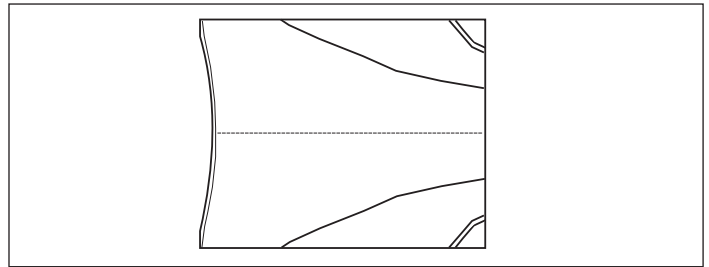
10. Insert garment into packaging so the neck is at the opening.



7. Fold bottom up toward neck of garment.  
Length should fit packaging.



9. Turn garment front side up.



*The miracles of science™*

This information is based upon technical data that DuPont believes to be reliable. It is subject to revision as additional knowledge and experience are gained. SINCE CONDITIONS OF USE ARE OUTSIDE OUR CONTROL DUPONT MAKES NO WARRANTIES, EXPRESSED OR IMPLIED, INCLUDING WITHOUT LIMITATION, NO WARRANTIES OF MERCHANTABILITY OR FITNESS FOR A PARTICULAR USE AND ASSUME NO LIABILITY IN CONNECTION WITH ANY USE OF THIS INFORMATION. This information is not intended to be used by others for advertising, promotion, or other publication for commercial purposes.

### Customer Service:

United States 1-800-931-3456

Canada 1-800-387-9326

Mexico 01800 849 75 14 or 011 52 55 5722 1150

[www.ControlledEnvironments.DuPont.com](http://www.ControlledEnvironments.DuPont.com)

Copyright © 2009 DuPont. The DuPont Oval Logo, DuPont™, and The miracles of science™ are registered trademarks or trademarks of E.I. du Pont de Nemours and Company or its affiliates. All rights reserved.

K-22230 (07/09) Printed in the U.S.A.