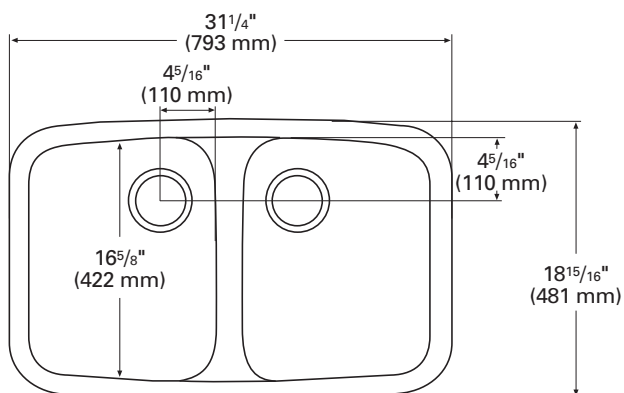


# 850

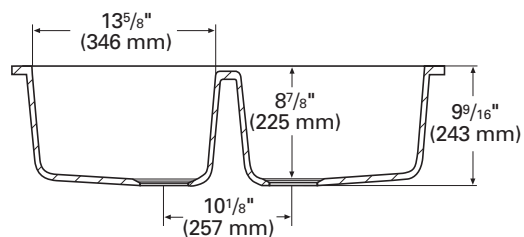
## Double Sink

*Equal-sized double sinks bring simple elegance and practicality to your kitchen design.*

- ▶ Steeper sidewalls increase sink volume and work area at the base
- ▶ Depth increases to 9½" when undermounted
- ▶ Rounded and recessed bull-nose divider separates sinks
- ▶ Fits into a 33" or larger base cabinet
- ▶ See *Color Options* page at the beginning of Sinks Section for available colors



TOP VIEW



FRONT CROSS-SECTION

**850 (SEAMED UNDERMOUNT)**

**INSIDE SINK DIMENSIONS**

	Length	×	Width	×	Depth
inches	13 5/8		16 5/8		8 7/8
(mm)	(346)		(422)		(225)

For an explanation of installation options, see *Installation/Accessories*.

All drain holes in sinks are nominally 3½" in diameter and accept all standard drain hardware, including waste disposal units.

Metric conversions are approximate.



**corian.**