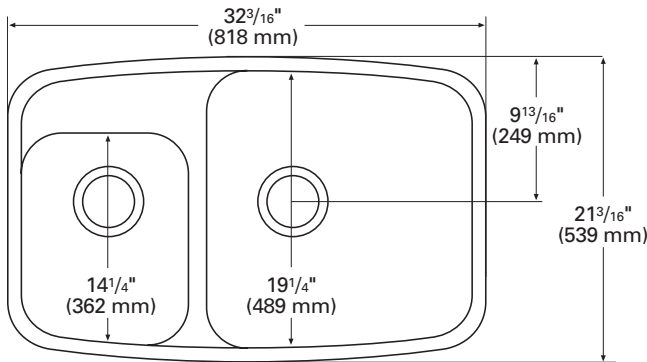


# 874

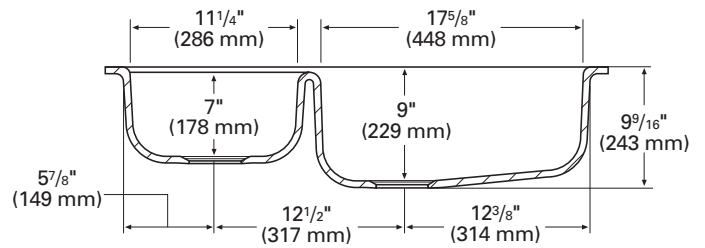
## Double Sink

*This side-by-side, small- and large-sink configuration balances beauty with practicality.*

- ▶ Depth increases to 9½" when undermounted
- ▶ Flat-bottom surface increases available work area
- ▶ Recessed spillway catches water overflow
- ▶ Recessed, self-draining faucet deck means easy cleanup
- ▶ Fits into a 33" or larger base cabinet
- ▶ See *Color Options* page at the beginning of Sinks Section for available colors



TOP VIEW



FRONT CROSS-SECTION

**874 (SEAMED UNDERMOUNT)**

**INSIDE SINK DIMENSIONS**

	Length	×	Width	×	Depth
inches	11¼		14¼		7
(mm)	(286)		(362)		(178)
inches	17⅝		19¼		9
(mm)	(448)		(489)		(229)

For an explanation of installation options, see *Installation/Accessories*.

All drain holes in sinks are nominally 3½" in diameter and accept all standard drain hardware, including waste disposal units.

Metric conversions are approximate.



**corian.**